

VIBRATOR TECHNICAL DATA SHEET

MODEL: MVS1 15/700-S02 230/400V 50Hz 3PH

SERIE: AE FRAME SIZE: 30 P/N: 601408A

IP66

RPM 1500

MECHANICAL CHARACTERISTICS

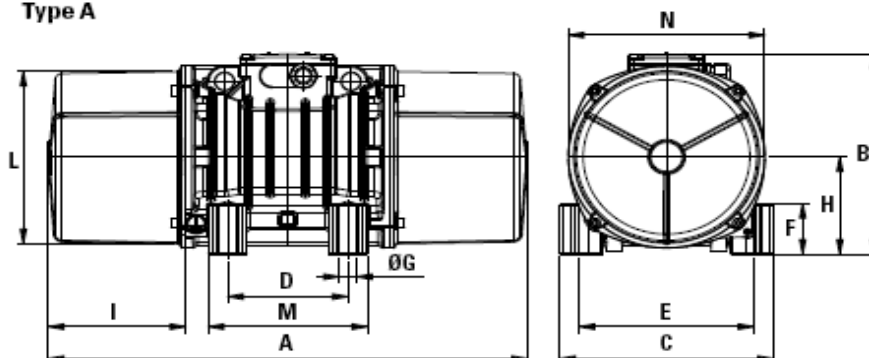
Weights Position	Static moment		Centrifugal Force			Bearing Life w/1.3 Load Factor	Bearing Life w/1.0 Load Factor
	%	kgmm	in.-lb	kg	lb		
100	286	24,9	720	1584	7,06	8760	19128
90	257	22,4	648	1426	6,35	11943	26239
80	229	19,9	576	1267	5,65	17005	37360
70	200	17,4	504	1109	4,94	25383	55767
60	172	14,9	432	950	4,24	40308	88556
50	143	12,4	360	792	3,53	69652	>100000
40	114	9,9	288	634	2,82	>100000	>100000
30	85,8	7,5	216	475	2,12	>100000	>100000
20	57,2	5,0	144	317	1,41	>100000	>100000
10	28,6	2,5	72	158	0,71	>100000	>100000

Weight:	25,5 kg (56,2 lb)	Bearing:	6308.2Z.C3
Working Moment:	57,2 kgcm (49,8 in-lb)	Dynamic load:	4313 kg (9490 lb)
Max Static Moment:	286 kgmm (24,9 in-lb)	Lube schedule:	Lubricated for life

ELECTRICAL CHARACTERISTICS

	230	400		in-lb	Nm
Nominal input voltage:	230	400	Nominal torque:	24,1	2,70
Nominal current (amps):	1,59	0,92	Start torque:	49,8	5,58
Start current (amps):	5,5	3,2	Maximum torque:	55,3	6,20
Start/Nom. current ratio:	3,48		Start/nom. torque ratio:	2,07	
Input power (watts):	525		Max/nom. torque ratio:	2,30	
Output power (hp):	0,51		Starting time (sec):	1,21	
Service Factor:	1,0		Duty cycle:	continuous	
Efficiency:	72%		Max. Ambient Temp.:	+40°C (104 F)	
Slip:	9%		Inertia (kgm ² lb-ft ²):	0,1085	3,009
Power factor:	0,82		Inverter Duty:	20Hz to 50Hz	
Coil resist (Ω @ 20°C):	25				
Insulation class:	F				
Locked Rotor Code:	D				





Type A



	in.	mm
A:	15,51	394
B:	8,31	211
C:	8,07	205
D:	4,72	120
E:	6,69	170
ØG:	0,67	17
F:	1,77	45
H:	3,68	93,5
I:	4,17	106
L:	6,69	170
M:	6,85	174
N:	7,17	182

External cable diam.:	9-16mm
Serv. length req.per side:	0,354-0,630 inch
Mounting bolts:	106 mm (4,17 inch)
Mounting bolt torque:	M16 - (5/8")
	19kgm (137 ft-lb)

Approvals and certifications

	ATEX 2014/34/UE - IECEx - UK SI
	II2D Ex tb IIC T135°C Db
	CSA C22.2 N°100-95 Class 4211 01
	Class II, Div. 2, Gr.FG, T3B
	TR CU 012/2011
	Cert. N° RU C-IT.HB07.B.00614/22
	Ex tD A21 IP66 T135°C
	Cert. N. 2020322301003125