

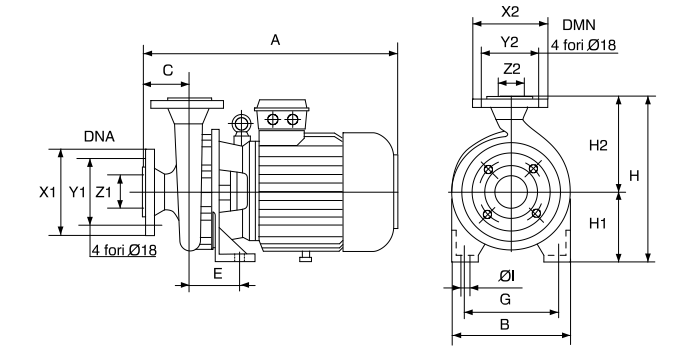
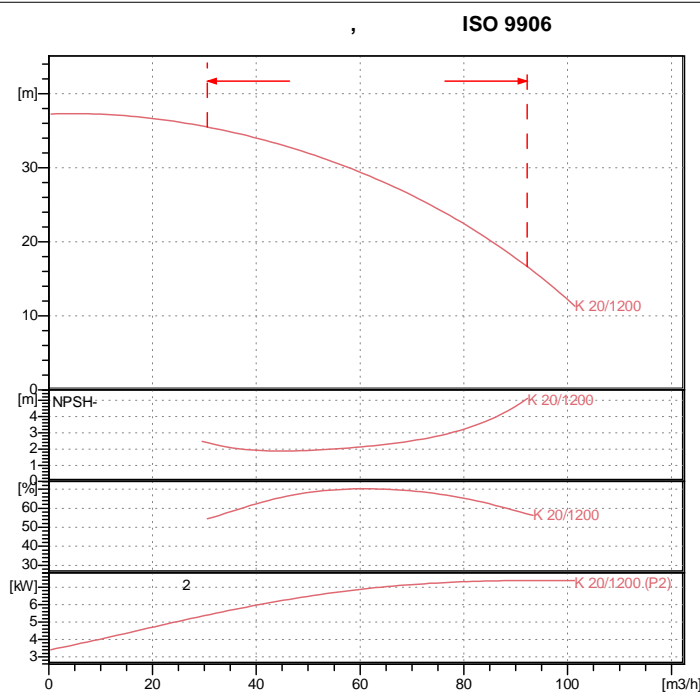
Item N:  
60167626

Model:  
K 20/1200 T IE3

Pump data  
MEI ≥ 0,60  
Pressure rating: 10 bar (1000 KPa)

REQUESTED DATA:  
Flow: 0.00 m3/h  
Head: 0.00 m  
Fluid: Ethylene glycol  
Fluid Temperature: 20 °C  
Density: 0.9983 kg/dm3  
Kinematic viscosity: 1.005 mm2/s  
Vapor pressure: 2.34 kPa

MATERIALS  
Pump body Iron 200 UNI ISO 185  
Impeller Iron 200 UNI ISO 185  
Dift user Iron 200 UNI ISO 185  
Suction filter Carbon/ceramic  
OR ring EPDM Iron  
Motor shaft AISI 304 X5 Cr Ni 1810 UNI 6900/71



Weight: 88 kg

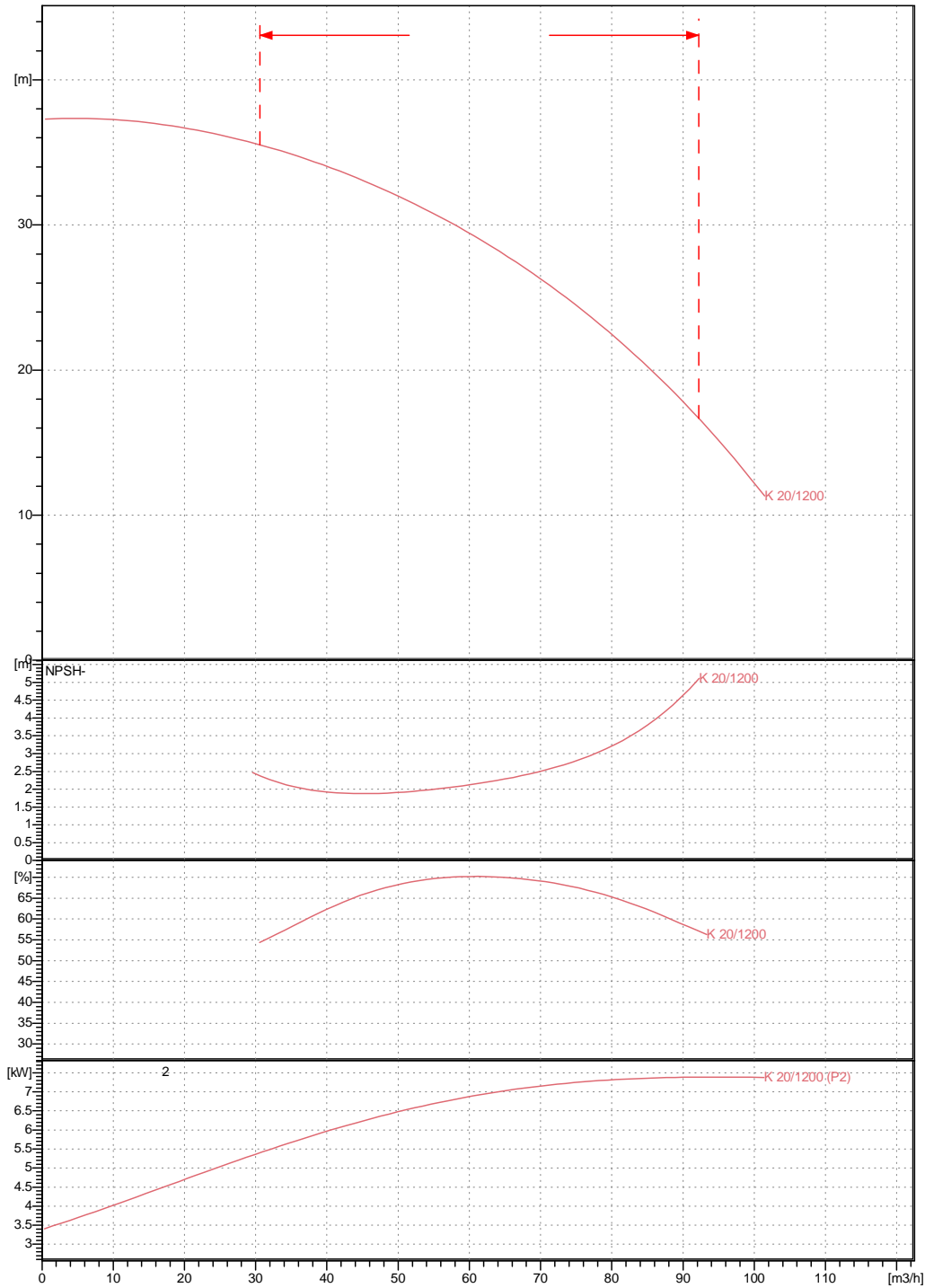
MOTOR DATA  
Motor brand DAB  
Nominal power P2: 7.5 kW  
Nominal speed: 2900 1/min  
Rated voltage 3~ 400 V 50 Hz  
Nominal current 15.4 A  
Degree protection IP 55

Dimensions in		mm	
A	600	Y2	145
B	273	Z1	80
C	100	Z2	65
E	110		
G	212		
H	385		
H1	160		
H2	225		
IO	14		
X1	200		
X2	185		
Y1	160		

Pump connection  
Suction side: DN 80 / 10 bar (1000 KPa)  
Discharge side: DN 65 / 10 bar (1000 KPa)

**K 20/1200 TIE3**

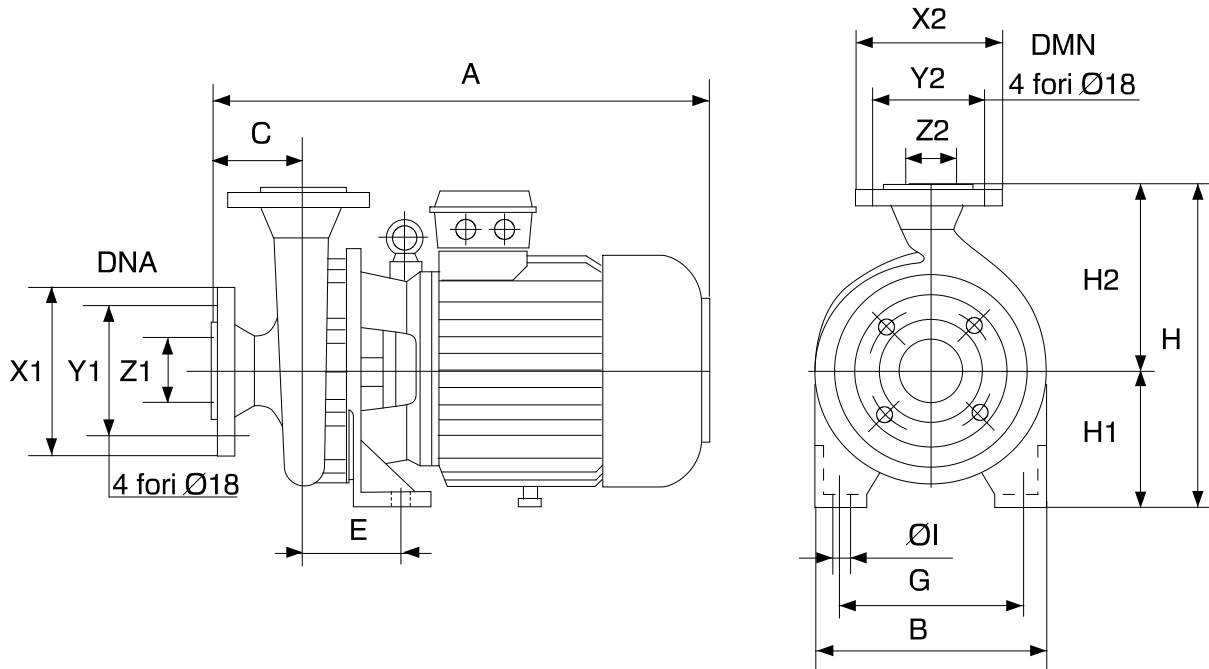
Curve tolerance according to ISO 9906



Hydraulic data (duty point)

Suction side: DN 80 10 bar (1000 KPa)	Discharge side: DN 65 10 bar (1000 KPa)	Flow: 0 m <sup>3</sup> /h	Head: 0 m	Rated speed: 2900 1/min
ID				<b>2017-01-25</b>

**K 20/1200 T IE3**



Dimensions in mm

1	A	600	X2	185		
2	B	273	Y1	160		
3	C	100	Y2	145		
4	E	110	Z1	80		
5	G	212	Z2	65		
6	H	385				
7	H1	160				
8	H2	225				
9	IO	14				
10	X1	200				

pUMP CONNECTION

Suction:  
DN 80  
10 bar (1000 KPa)

Discharge:  
DN 65  
10 bar (1000 KPa)

ID

2017-01-25